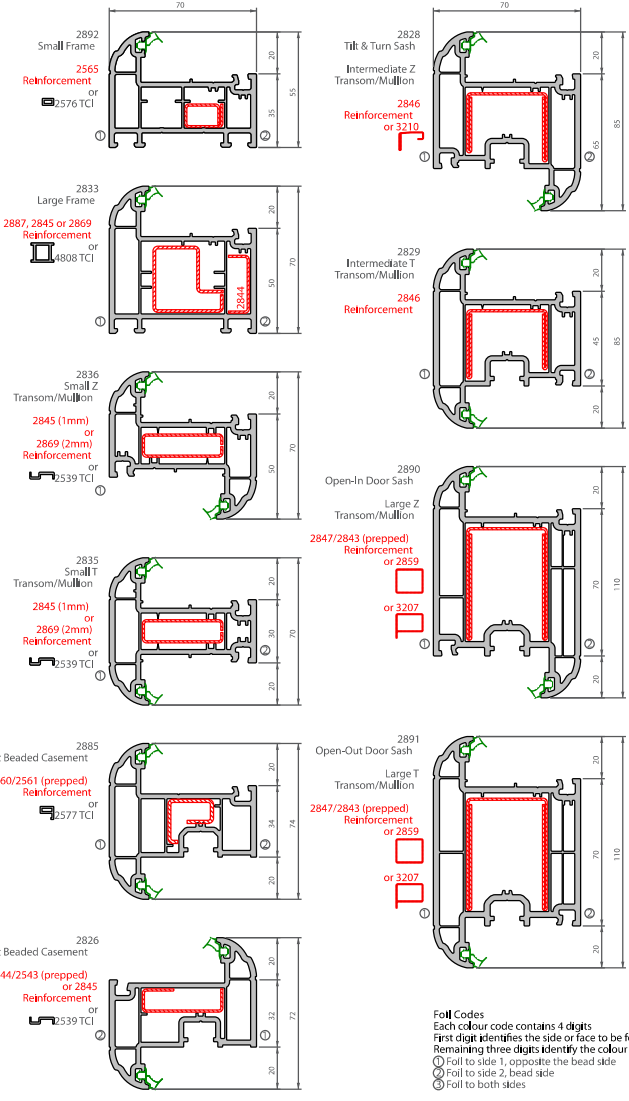
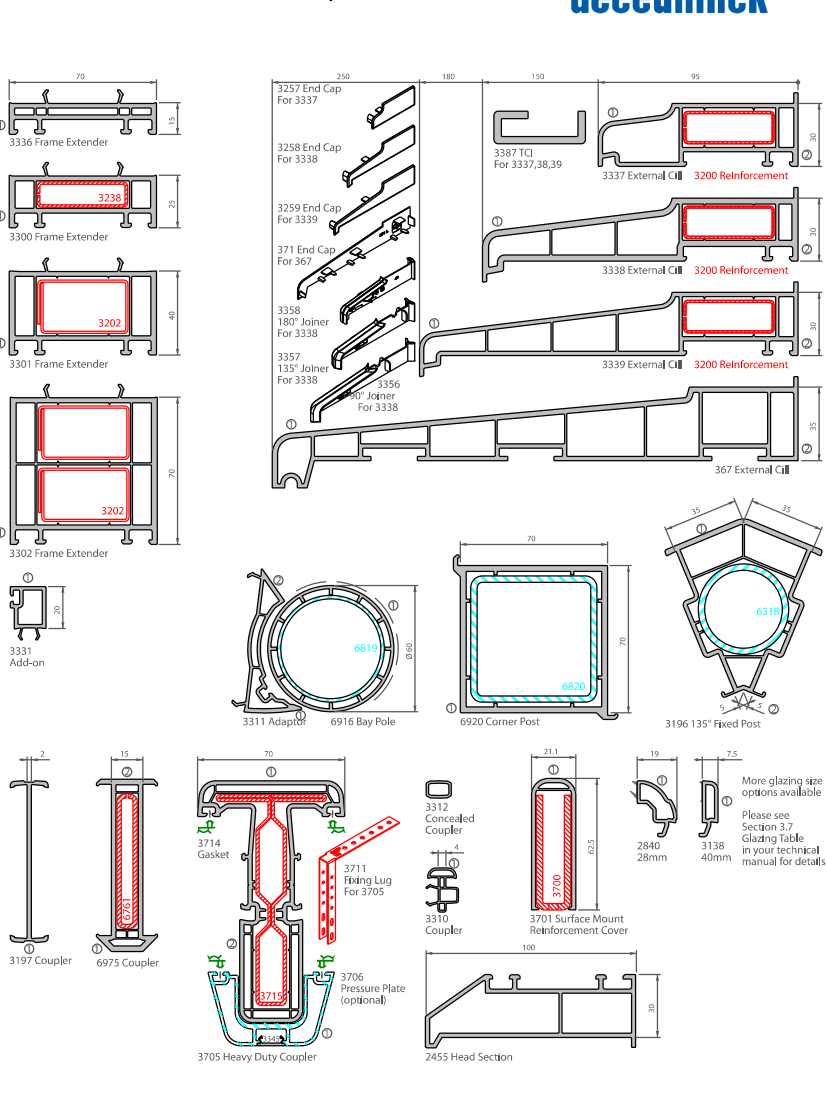


Main Frame

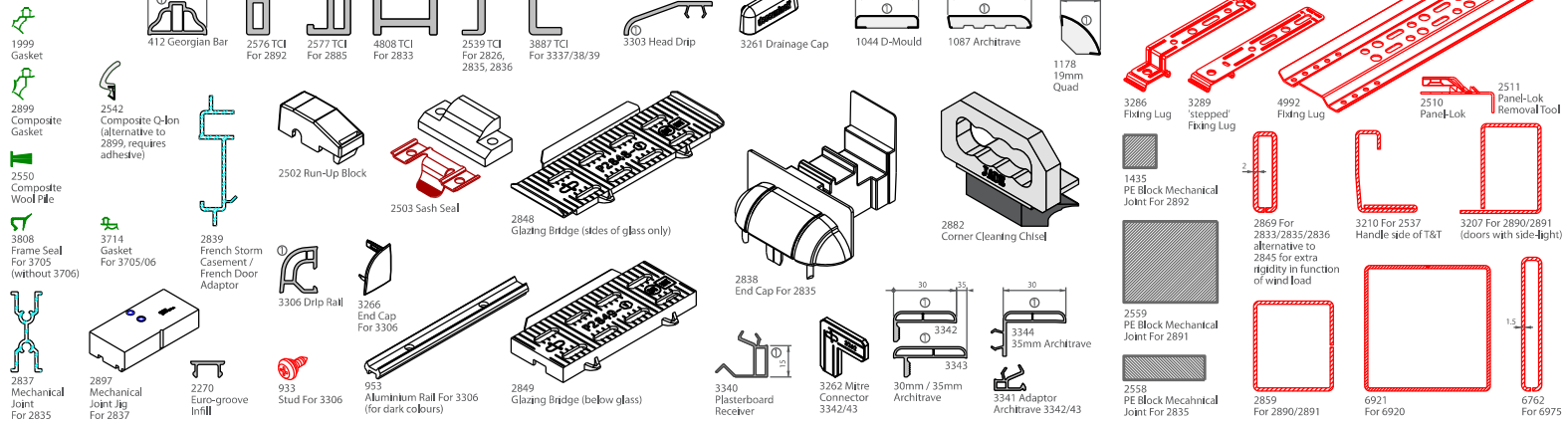


Cills, Frame Extenders, Couplers

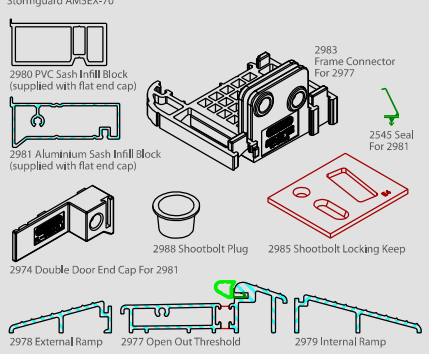


Foil Codes
Each colour code contains 4 digits
First digit identifies the side or face to be foiled
Remaining three digits identify the colour
① Foil to side 1, opposite the bead side
② Foil to side 2, bead side
③ Foil to both sides

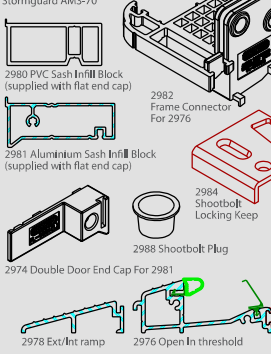
Ancillaries



Open-Out Low Threshold Stormguard AM5EX-70



Open-In Low Threshold Stormguard AM3-70



Sash Horn

